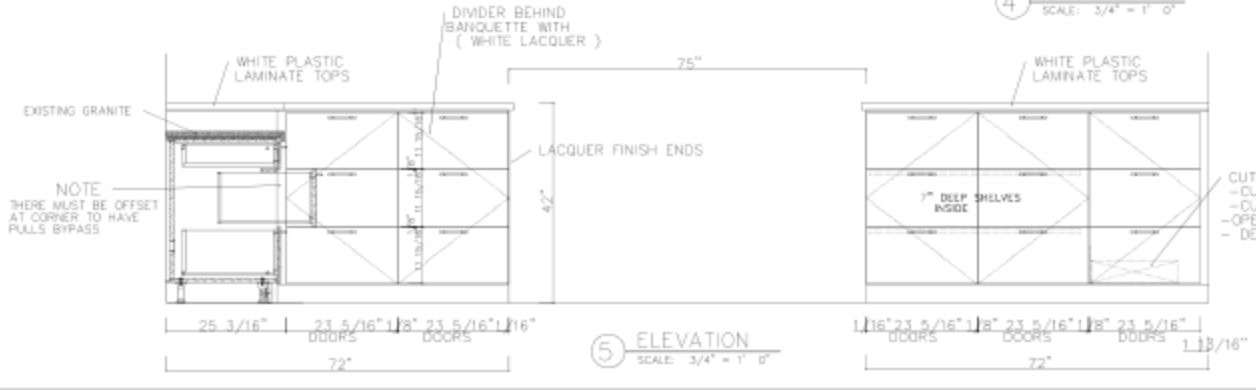
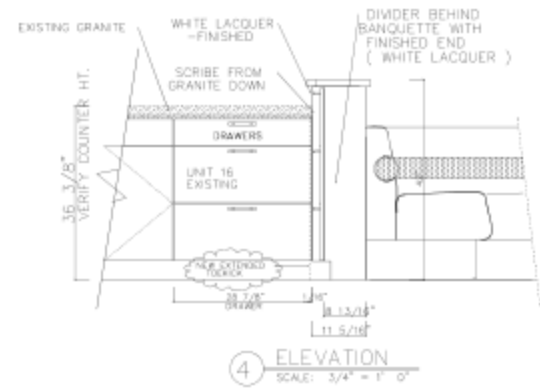
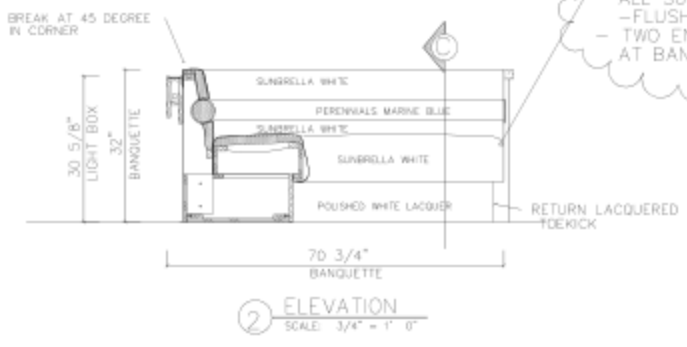
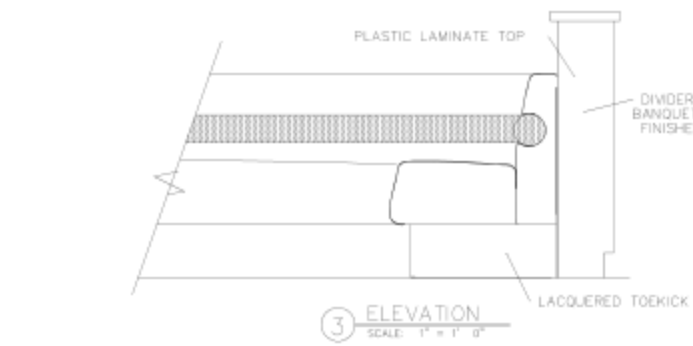
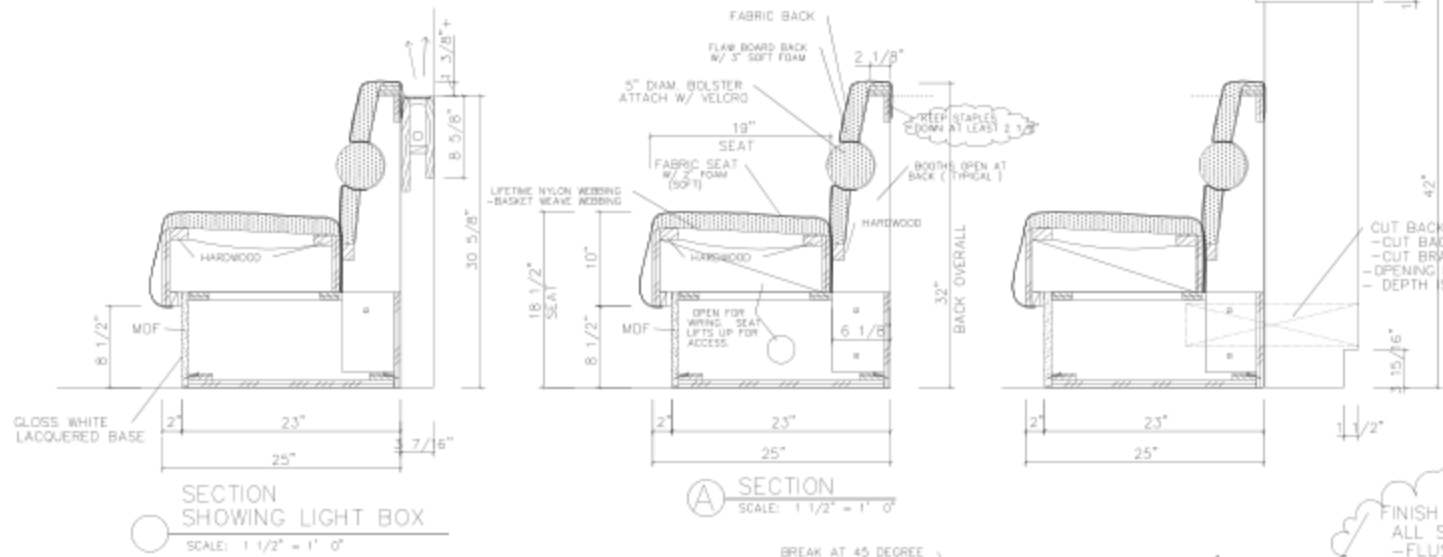
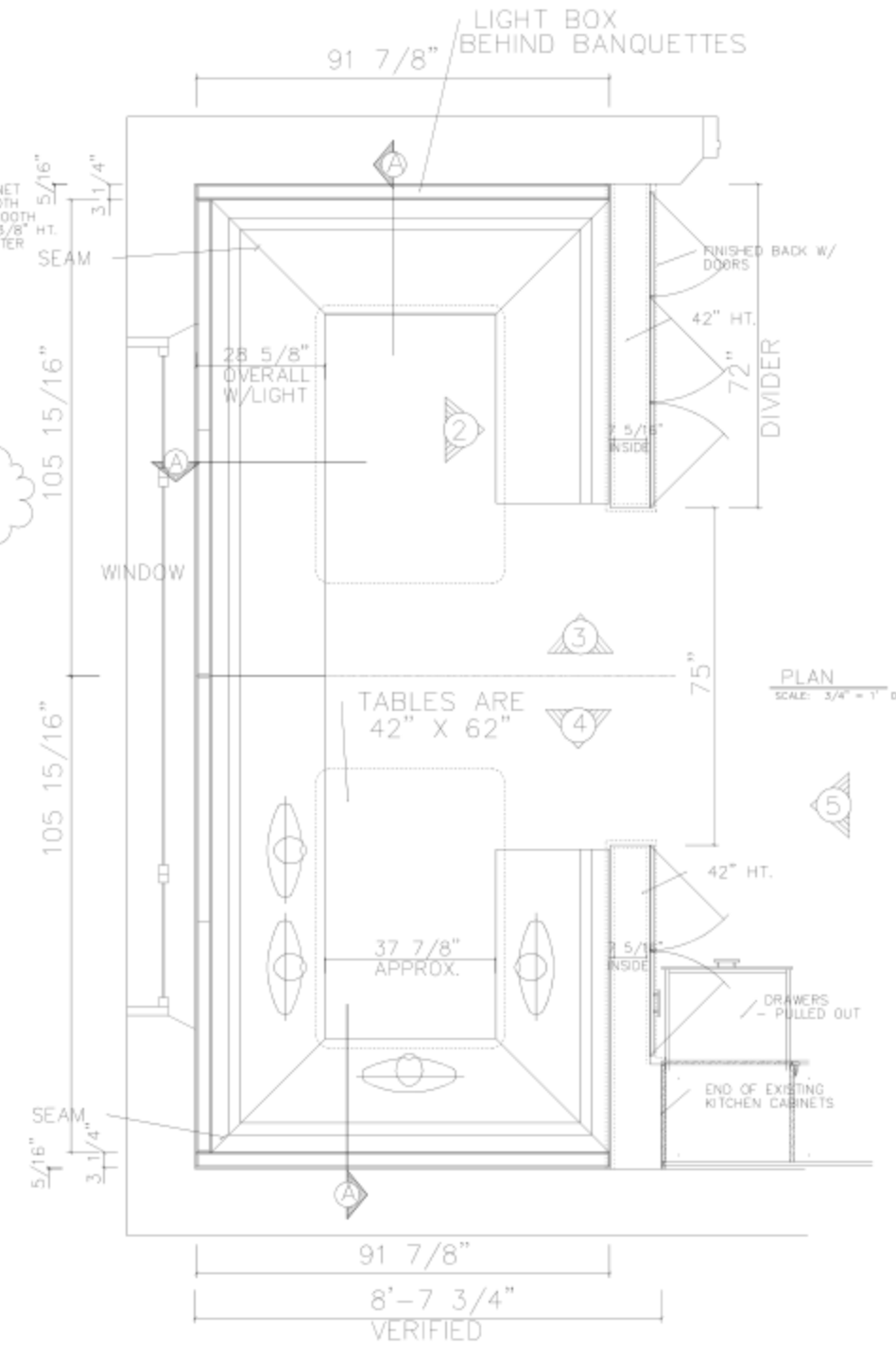


NOTE - SCOTCHGUARD ALL FABRIC



FINISH ENDS ALL SURFACES - FLUSH - TWO ENDS AT BANQUETTES.



MATERIAL : PLYWOOD/ HARDWOOD / MDF
 FINISH : FABRIC FOR BACK AND SEAT TO BE PERENNIALS -ROUGH N ROWDY, 955-28, BLANCA. (7 yards)
 FABRIC FOR BOLSTER TO BE SUNBELLA MARINE FABRIC, MARINE BLUE. (20 yards)
 PLAST. LAM.: FORMICA DOVER WHITE 7197-58 MATTE

SCALE: AS NOTED DRAWN BY: KAS	PROJECT: LITTLE ST. JAMES SHEET TITLE: BANQUETTE DETAILS SHEET 1 OF 5	REVISED:	DATE: 1/19/11
			SHEET #: B-1